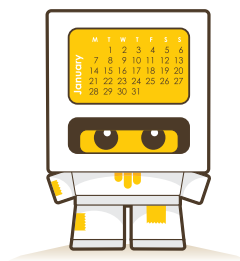


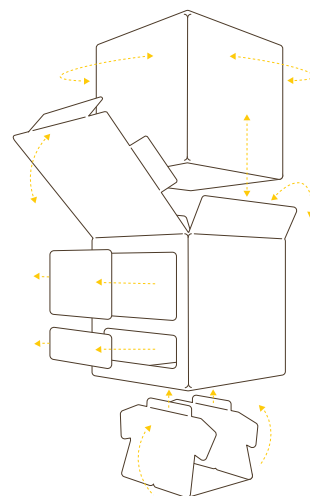
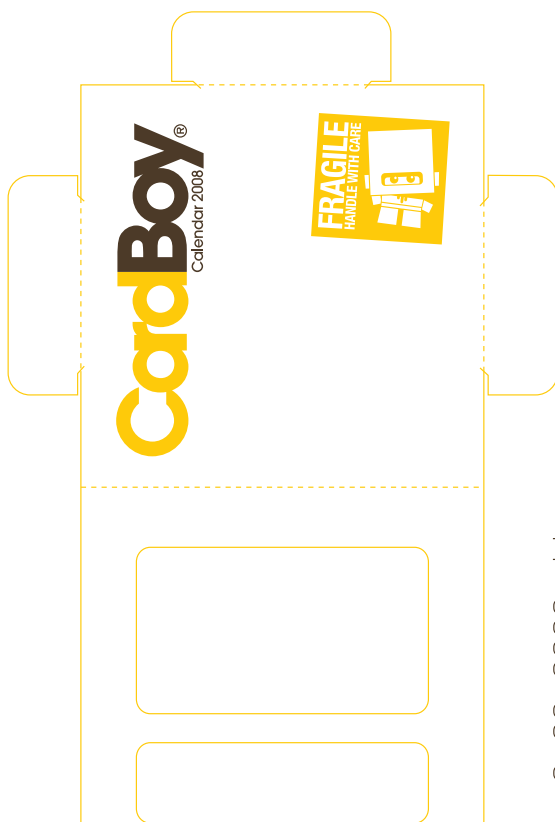
# CardBoy®

Calendar 2008



**CardBoy®**  
Calendar 2008

CARDBOY BY MARK JAMES  
INFO@MARKJAMESWORKS.COM  
© 2007 MARK JAMES. ALL RIGHTS RESERVED. MADE IN THE UK  
WWW.CARDBOY.TV  
WWW.MARKJAMESWORKS.COM



THE CARDBOY CALENDAR 2008 IS DELIVERED TO YOU IN FLAT PACK FORM

01. Print out onto card
01. Cut out all components.
02. Assemble calendar box.
03. Assemble head box, cut out eye and date panels, leaving lid open.
04. Fold and attach body to base of head box.
05. Insert calendar box into head box with the correct month showing through the open panel.
06. Close head box, place on desk or shelf, wait for one month, then repeat the process.



08

Store in a dry place  
Keep out of direct sunlight  
Keep out of reach of children

WWW.CARDBOY.TV  
WWW.MARKJAMESWORKS.COM  
© 2007 MARK JAMES. ALL RIGHTS RESERVED. MADE IN THE UK  
INFO@MARKJAMESWORKS.COM  
CARDBOY BY MARK JAMES



**CardBoy®**  
Calendar 2008



CARDBOY BY MARK JAMES  
INFO@MARKJAMESWORKS.COM

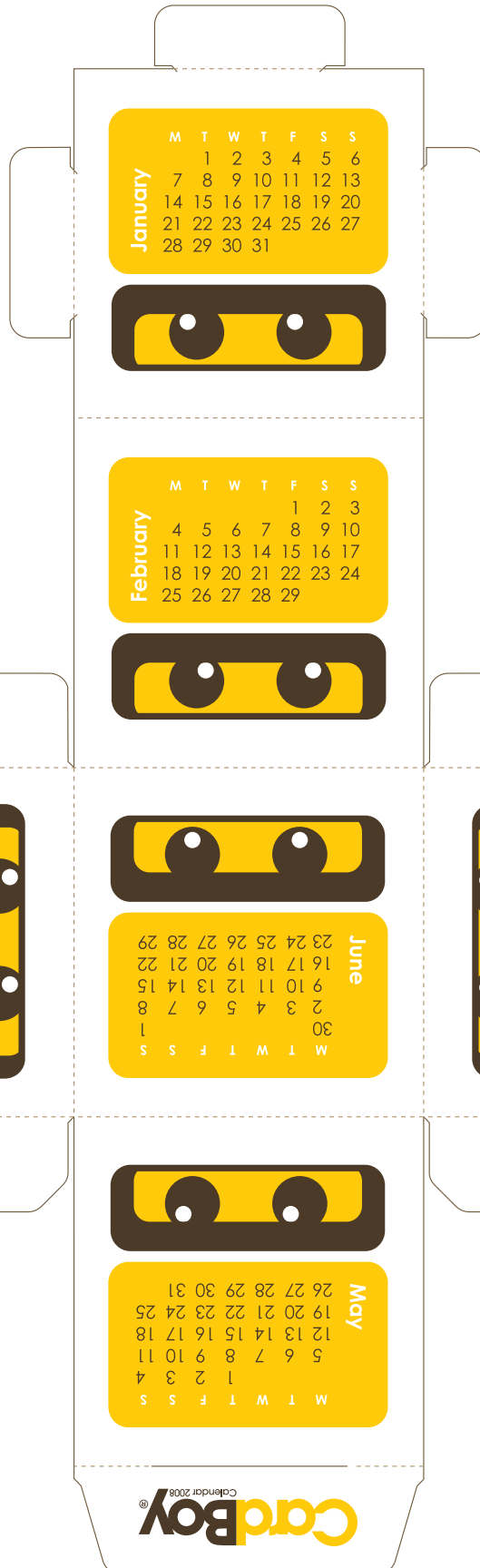
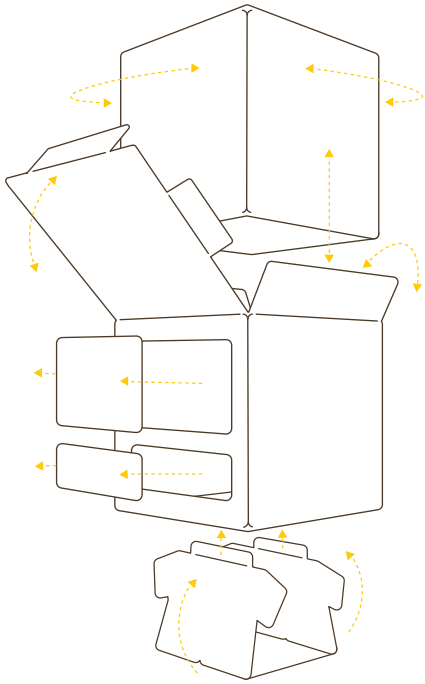
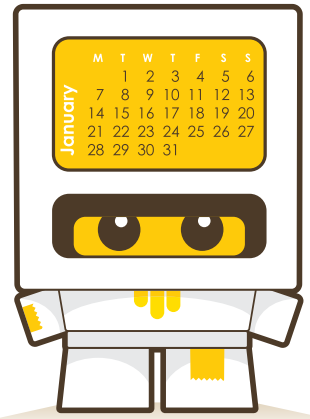
© 2007 MARK JAMES. ALL RIGHTS RESERVED. MADE IN THE UK

WWW.CARDBOY.TV  
WWW.MARKJAMESWORKS.COM

Outer Box and Body

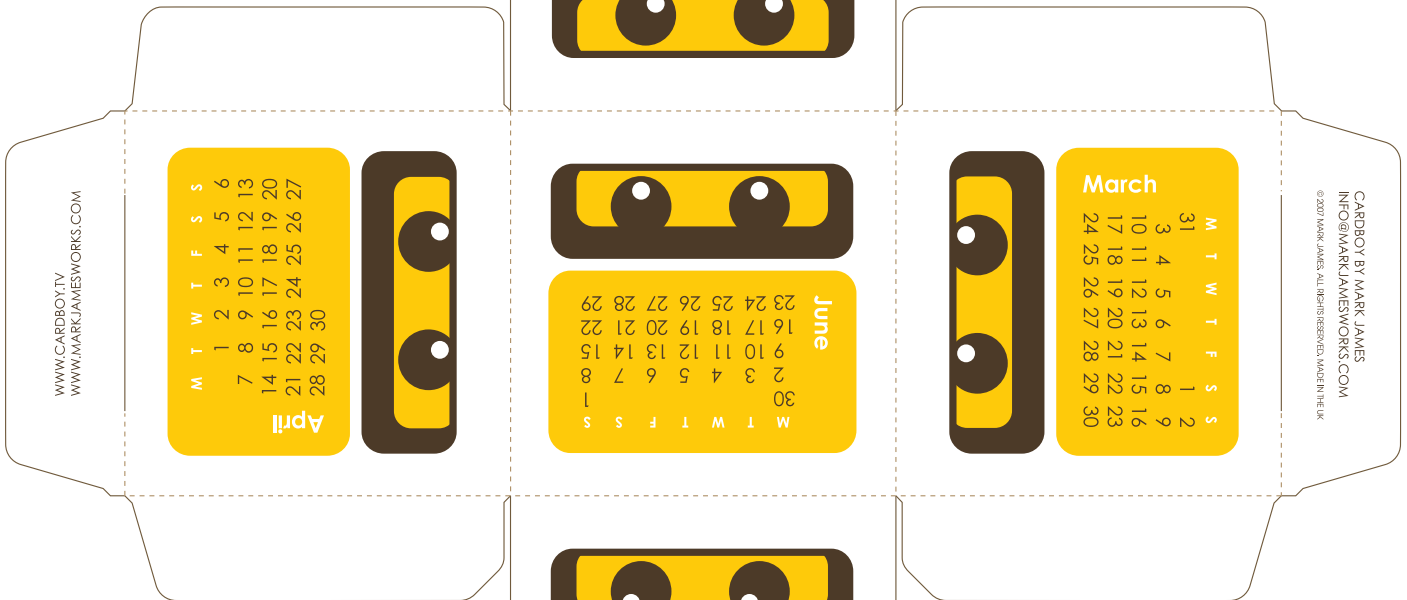
# CardBoy<sup>®</sup>

Calendar 2008



THE CARDBOY CALENDAR 2008 IS DELIVERED TO YOU IN FLAT PACK FORM

01. Print out onto card
01. Cut out all components.
02. Assemble calendar box.
03. Assemble head box, cut out eye and date panels, leaving lid open.
04. Fold and attach body to base of head box.
05. Insert calendar box into head box with the correct month showing through the open panel.
06. Close head box, place on desk or shelf, wait for one month, then repeat the process.



WWW.CARDBOY.TV  
WWW.MARKJAMESWORKS.COM

CARDBOY BY MARK JAMES  
INFO@MARKJAMESWORKS.COM  
© 2007 MARK JAMES. ALL RIGHTS RESERVED. MADE IN THE UK



CARDBOY BY MARK JAMES  
INFO@MARKJAMESWORKS.COM

© 2007 MARK JAMES. ALL RIGHTS RESERVED. MADE IN THE UK

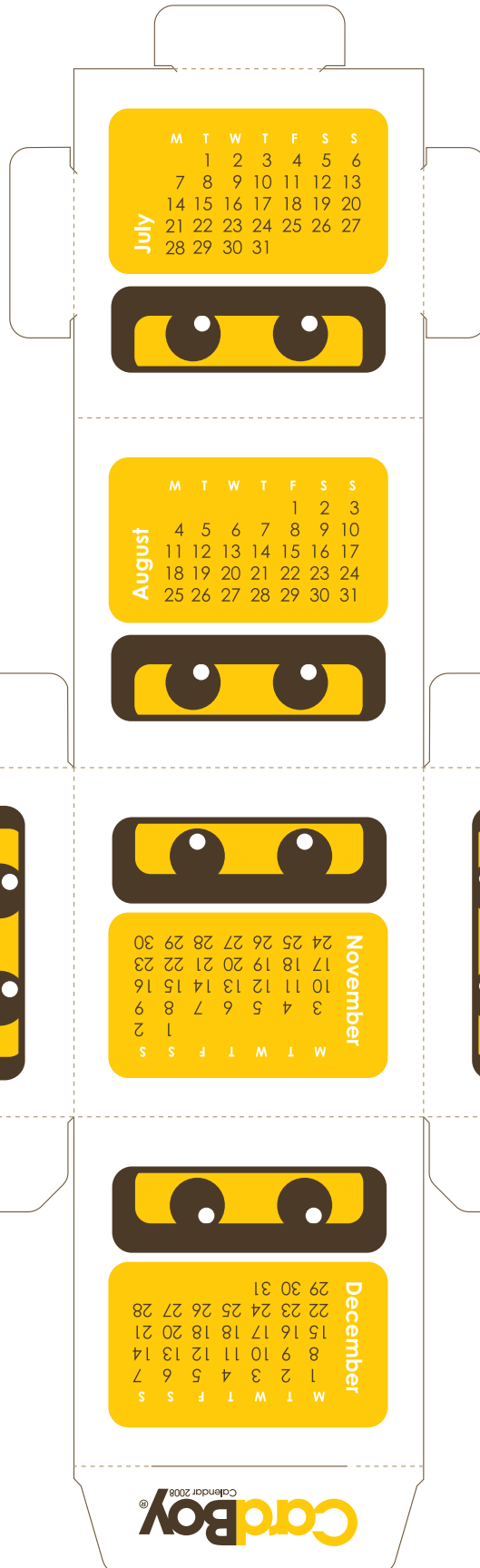
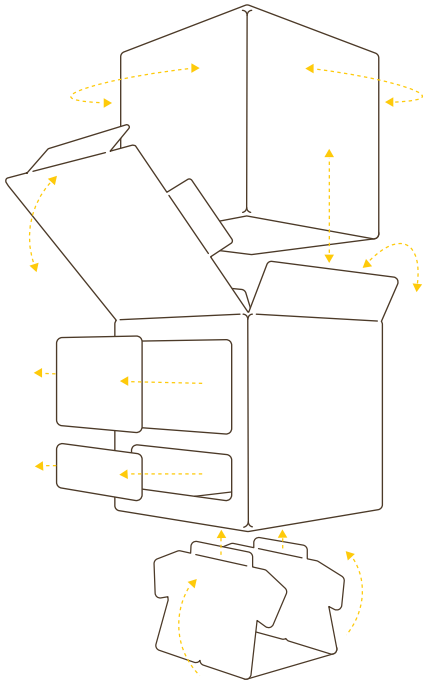
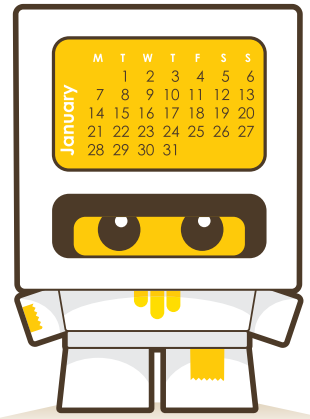
WWW.CARDBOY.TV  
WWW.MARKJAMESWORKS.COM

Inner Head/Calendar  
January to June

CardBoy<sup>®</sup>  
Calendar 2008

# CardBoy®

Calendar 2008



THE CARDBOY CALENDAR 2008 IS DELIVERED TO YOU IN FLAT PACK FORM

01. Print out onto card
01. Cut out all components.
02. Assemble calendar box.
03. Assemble head box, leaving lid open. cut out eye and date panels, leaving lid open.
04. Fold and attach body to base of head box.
05. Insert calendar box into head box with the correct month showing through the open panel.
06. Close head box, place on desk or shelf, wait for one month, then repeat the process.



CARDBOY BY MARK JAMES  
INFO@MARKJAMESWORKS.COM  
© 2007 MARK JAMES. ALL RIGHTS RESERVED. MADE IN THE UK



CARDBOY BY MARK JAMES  
INFO@MARKJAMESWORKS.COM

© 2007 MARK JAMES. ALL RIGHTS RESERVED. MADE IN THE UK

WWW.CARDBOY.TV  
WWW.MARKJAMESWORKS.COM

Inner Head/Calendar  
July to December